

\*: equivalent material qualities:

S235 or equivalent includes:

$\sigma_{yield} / R_p 0.2 \geq 235 \text{ N/mm}^2$   
 S235 / St137-2  
 S275 / St144-3  
 S355 or equivalent

S355 or equivalent includes:

$\sigma_{yield} / R_p 0.2 \geq 355 \text{ N/mm}^2$   
 S355 / St152-3  
 S420 / Raex420

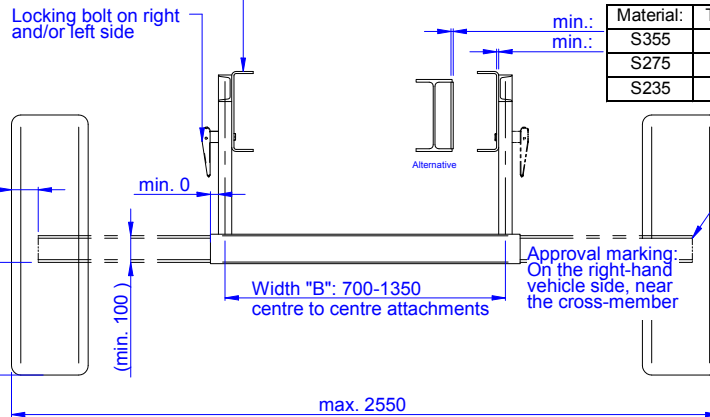
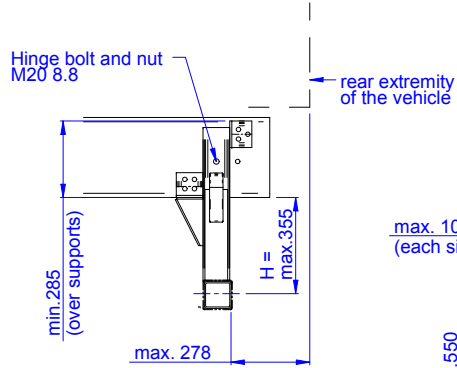
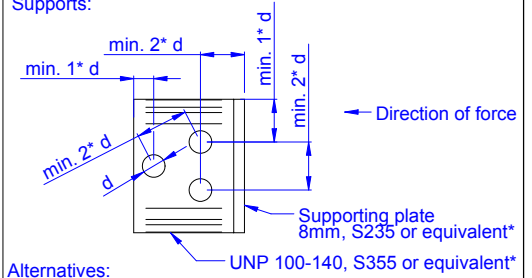
Chassis or body parts replacing the chassis.  
 Material quality and dimensions not defined by this approval.  
 Modifications to the original chassis, for example by means of reinforcements, bushings or justifications (spacers) are not excluded by this approval

$I_{xx} = \text{min } 750 \text{ cm}^4$   
 (Moments of inertia about the horizontal axis of the chassis side-member, combined chassis and supporting frame or body parts replacing the chassis, per side [cm<sup>4</sup>])

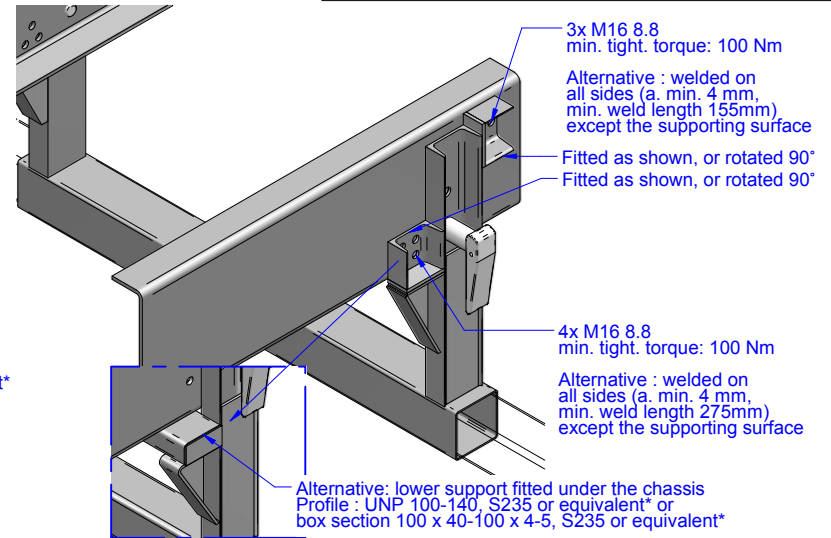
See table for min thickness of the chassis or plate at the location of the attachment bolts. if necessary, a plate may be welded inside or outside of the chassis to increase thickness

Material:	Thickness:
S355	5 mm
S275	6 mm
S235	7 mm

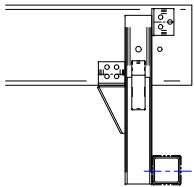
Supports:



extremities of the cross-member have a radius of curvature of not less than 2,5 mm



Alternatives:

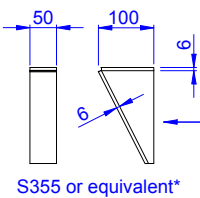


SECTION A-A Stand UNP100-140, S355 or equivalent\*

Alternative Reinforcement plate 6mm, S355 or equivalent\*

min. 30 (reinforcement plate above lower edge chassis)

Reinforcement (only if H>160mm)



Crossmember (See option 1 or option 2)  
 Option 1: Continuous cross member (doorlopend binnendeel)

Option 2: Divided cross member (gedeeld binnendeel)

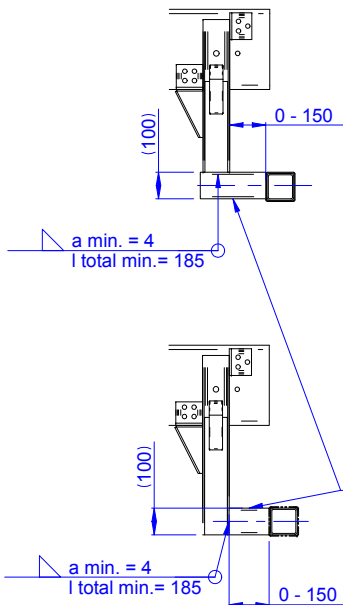
Install locking mechanism (design and location not defined)

Box section (removable part) 100x100x5, S355 or equivalent\*

Box section: 110-120x110-120x3-6, S235 or equivalent\*

Box section: 110-120x110-120x4-6, S355 or equivalent\*

Box section (2 equal parts, removable) 100x100x5, S355 or equivalent\*



**Voorbeeld opklapbare stootbalk voor meeneemheftruck**

Uitsluitend voor leden van FOCWA Carrosseriebouw

Niet geldig zonder goedkeuring RDW

HESTOCON		Description: Underrun protection, hinged		Reference: 11223
Engineering & Innovation		Remarks		Assy
Lijfwijk 4, 14120 - 4111 www.HESTOCON.com		Suited for all masses		Pos
Mat.		FOCWA		Drawn MvN
Treat.				Date 24-11-2011
Toler.		Units mm		Size AD
Scale: Not to scale	Dwg Number: ALL.SU			Page -